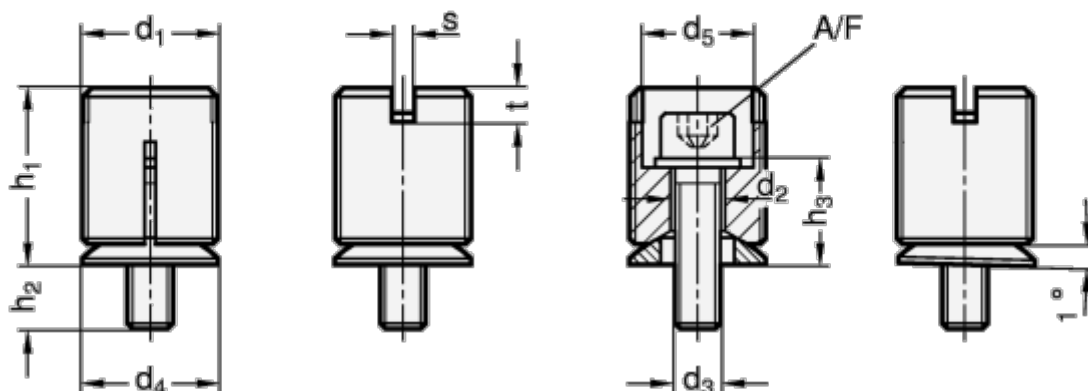


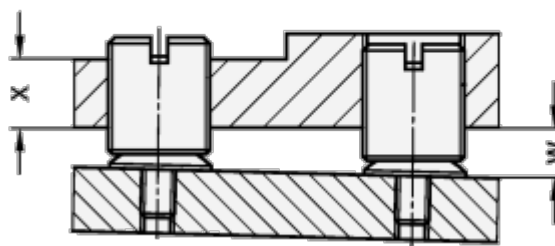
Article number: 20355M1817ST

Description: E+G Levelling elements, GN 355-M18x1-7-ST

## Measures



### Application example



A/F = 5	h3	= 14.9
d1 = M18x1	Load in KN	= 10
d2 = 7	s	= 2
d3 = M6	t	= 3
d4 = 17	Tool	= GN 355.1-18
d5 = 12.6	W.max	= 13
h1 = 26.8	Weight in (g)	= 36
h2 = 10.1	X.min	= 12